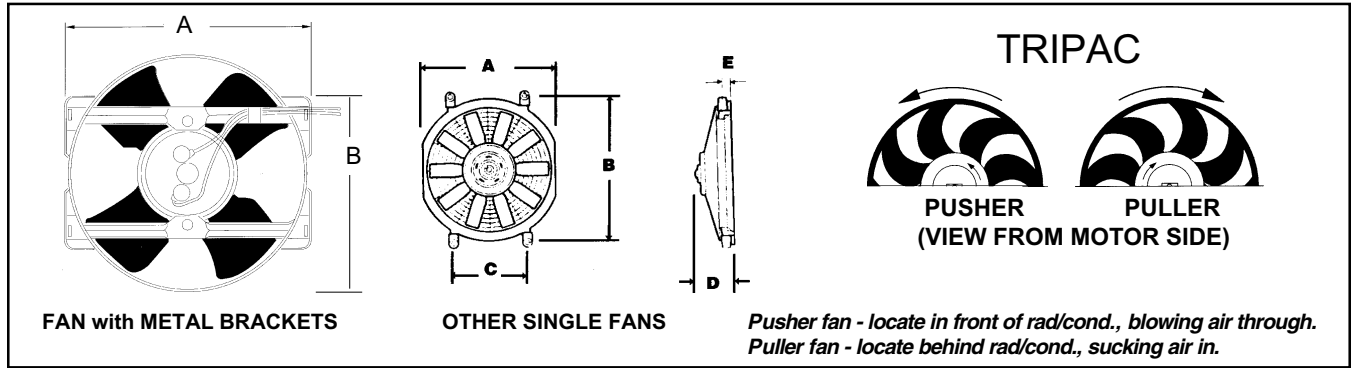


ECONOMY ELECTRIC AUXILIARY CONDENSER FANS
FOR LIGHT, MEDIUM, & HEAVY DUTY TRUCKS



Single Fans (All fans have reversible fan blades and are supplied with mounting hardware)

Part No.	Fan Type(1)	Fan Dia. (A)	(B)	(C)	(D)	(E)	Air Flow (2)	Current (2)	Volts
06-3110	Pusher (1)	9.75"	9.57"	4.97"	2.41"	1.41"	570 CFM	5.4 AMPS	12 volt
06-3111	Pusher (1)	10.75"	10.70"	5.20"	2.43"	1.41"	680 CFM	5.0 AMPS	12 volt
06-3112	Pusher (1)	12.48"	11.50"	5.87"	2.48"	1.61"	880 CFM	8.8 AMPS	12 volt
06-3112HP (3)	Puller	12.95"	N/A	5.165"	3.24"	0.975"	1300 CFM	10 AMPS	12 volt
06-3114	Pusher (1)	14.41"	13.80"	5.96"	3.35"	1.77"	1350 CFM	10.5 AMPS	12 volt
06-3116	Pusher (1)	16.65"	15.75"	8.12"	4.09"	1.93"	1800 CFM	14.6 AMPS	12 volt
06-3120	Pusher (1)	9.75"	9.57"	4.97"	2.41"	1.41"	570 CFM	2.7 AMPS	24 volt
06-3122	Pusher (1)	11.50"	12.48"	5.87"	2.48"	1.61"	880 CFM	4.4 AMPS	24 volt

Notes: (1) Can also be used as a Puller Fan. Requires Removal & Reversal of blade (reverse blade, reverse wires).
 (2) Rated at 0.00 Static Pressure Inch, H₂O. (SAE Standards).
 (3) High profile fan assembly (Puller type only).

- 12V use Blue wire for CW, Black for CCW
- 24V use Red wire for CW, Black for CCW

01-3109 24 volt
Replacement Fan Motor
 for #06-3120, #06-3122

Fan Mounting Hardware

06-3152 FAN INSTALLATION KIT
 Mounts fan onto coil, thru fins.

06-3153 FAN INSTALLATION KIT
 Includes 06-3152 Tie Kit and 4 side mounting brackets.

06-3160
 • 23 mm width

06-3161
 • 28 mm width

Side Mounting Bracket
 • attaches to shroud (Supplied 4 per box)

Fan Relay Kits

06-3155 Standard 12v Relay Kit

- For 10"-14" Dia. Fans
- Includes relay and wiring harness
- Wires directly to existing electronic thermostat

06-3156 Heavy Duty 12v Relay Kit

- For 16" Dia. Fans
- Includes relay and wiring harness
- Wires directly to electronic thermostat kit

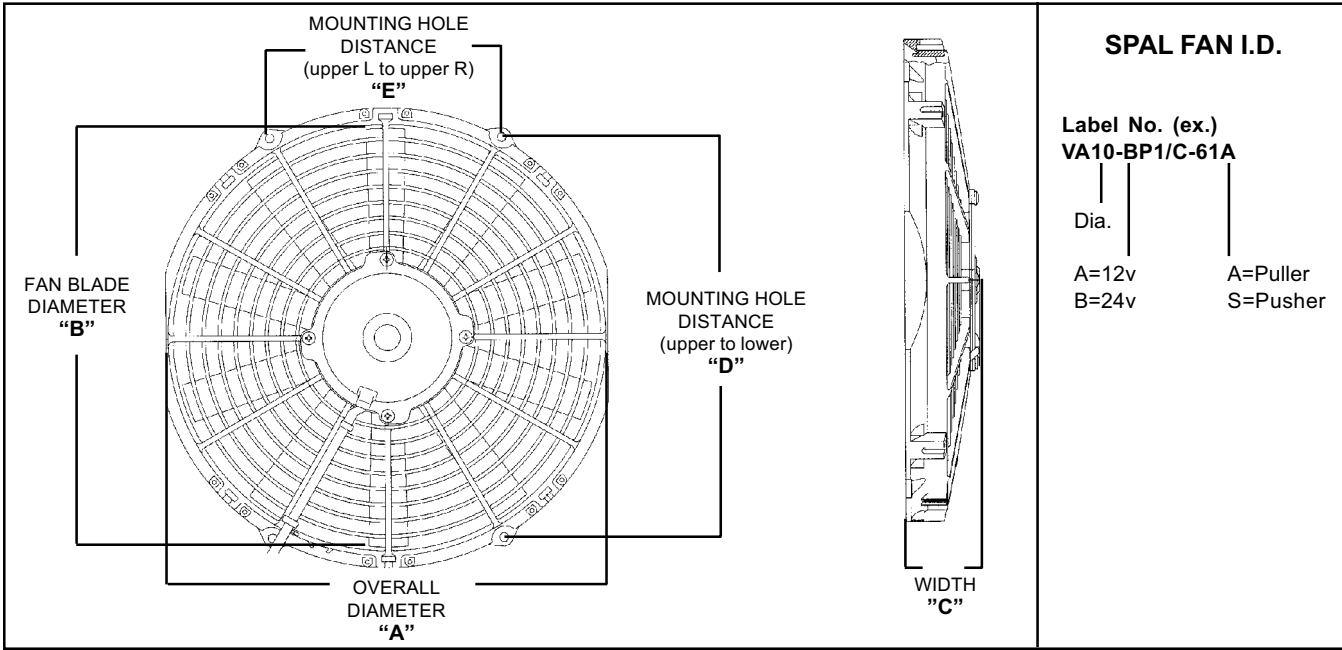
Fan Thermostat/Sensor Kits

06-3157 - Solid-State Thermostat Kit

- Adjustable from 140° - 220° F
- Monitors 2 separate inputs
- 30 amp. output thru relay
- Relay integral to fan control unit
- Accurate, repeatable temperature sensing

06-3158 - Sensor-Stat (12v)

- Monitors radiator temperature
- Easy push-on sensor mounting
- Brass temp. pin conducts heat to sensor
- Protective in-line fuse with wiring harness



VOLT	OVERALL DIAMETER "A"	FAN BLADE DIAMETER "B"	WIDTH "C"	MOUNTING HOLE DISTANCE (upper to lower) "D"	MOUNTING HOLE DISTANCE (upper L to upper R) "E"	PART NO. SUCTION	AIRFLOW CFM
PULLER FANS (Suction) - 12 VOLT (Normally Installed between condenser and radiator) Rotation = CW							
12V	9.37	8.86	2.05	8.11	5.47	06-3500	590
12V	9.37	8.86	3.70	8.11	5.47	06-3500H	826
12V	10.59	10.04	2.05	9.72	5.59	06-3560	649
12V	10.59	10.04	3.70	11.26	5.71	06-3560H	1115
12V	11.57	11.02	2.05	10.59	6.10	06-3562	808
12V	11.93	11.02	3.70	11.73	6.77	06-3562H	1362
12V	12.64	12.01	2.05	11.48	6.61	06-3564	864
12V	12.64	12.01	3.39	11.48	6.61	06-3564H	1451
12V	13.62	12.99	2.05	12.28	7.09	06-3566	1032
12V	14.45	13.78	2.05	13.03	7.52	06-3571	1038
12V	14.45	13.78	3.39	13.03	7.52	06-3571H	1787
12V	15.75	15.16	2.05	14.09	8.13	06-3568	1298
12V	15.75	15.16	2.48	14.09	8.13	06-3568M	1274
12V	15.75	15.16	3.39	14.09	8.13	06-3568H	2023
PULLER FANS (Suction) - 24 VOLT (Normally Installed between condenser and radiator) Rotation = CW							
24V	9.37	8.86	2.05	8.11	5.47	06-3499	625
24V	9.37	8.86	3.70	8.11	5.47	06-3499H	837
24V	10.59	10.04	2.05	9.72	5.59	06-3561	855
24V	10.59	10.04	3.70	11.26	5.71	06-3561H	-
24V	11.57	11.02	2.05	10.59	6.10	06-3563	973
24V	12.64	12.01	2.05	11.48	6.61	06-3565	861
24V	13.62	12.99	2.05	12.28	7.09	06-3567	1044
24V	14.45	13.78	2.05	13.03	7.52	06-3572	1062
24V	14.45	13.78	3.39	13.03	7.52	06-3572H	1817
24V	15.75	15.16	2.05	14.09	8.13	06-3569	1298
24V	15.75	15.16	3.39	14.09	8.13	06-3569H	2023
CCW PULLER FANS Rotation = CCW							
12V	13.03	13.00	3.75	9.37	9.37	06-2622	1640
24V	13.03	13.00	3.75	9.37	9.37	06-2623	-

VOLT	OVERALL DIAMETER "A"	FAN BLADE DIAMETER "B"	WIDTH "C"	MOUNTING HOLE DISTANCE (upper to lower) "D"	MOUNTING HOLE DISTANCE (upper L to upper R) "E"	PART NO. BLOWING	AIRFLOW CFM
PUSHER FANS (Blowing) - 12 VOLT (Normally Installed in front of condenser)							
						Rotation = CW	
12V	9.37	8.86	2.05	8.11	5.47	06-3581	590
12V	9.37	8.86	3.70	8.11	5.47	06-3581H	708
12V	10.59	10.04	2.05	9.72	5.59	06-3583	649
12V	10.59	10.04	3.70	9.72	5.71	06-3583H	1062
12V	11.57	11.02	2.05	10.59	6.10	06-3585	808
12V	11.93	11.02	3.70	11.73	6.77	06-3585H	1362
12V	12.64	12.01	2.05	11.48	6.61	06-3587	861
12V	12.64	12.01	3.39	11.48	6.61	06-3587H	1380
12V	13.62	12.99	2.05	12.28	7.09	06-3589	1032
12V	14.45	13.78	2.05	13.03	7.52	06-3591	1038
12V	14.45	13.78	2.48	13.03	7.52	06-3591M	1250
12V	14.45	13.78	3.39	13.03	7.52	06-3591H	1610
12V	15.75	15.16	2.05	14.09	8.13	06-3593	1298
12V	15.75	15.16	3.39	14.09	8.13	06-3593H	2023
PUSHER FANS (Blowing) - 24 VOLT (Normally Installed in front of condenser)							
						Rotation = CW	
24V	9.37	8.86	2.05	8.11	5.47	06-3582	719
24V	9.37	8.86	3.70	8.11	5.47	06-3582H	837
24V	10.59	10.04	2.05	9.72	5.59	06-3584	708
24V	10.59	10.04	3.70	11.26	5.71	06-3584H	-
24V	11.57	11.02	2.05	10.59	6.10	06-3586	914
24V	12.64	12.01	2.05	11.48	6.61	06-3588	861
24V	12.64	12.01	3.39	11.48	6.61	06-3588H	1374
24V	13.62	12.99	2.05	12.28	7.09	06-3590	1044
24V	14.45	13.78	2.05	13.03	7.52	06-3592	1062
24V	15.75	15.16	2.05	14.09	8.13	06-3594	1298
24V	15.75	15.16	3.39	14.09	8.13	06-3594H	2088

Cooling Fan Hardware

 <p>06-3165 Cooling Fan Adapter Bracket 2 per pack</p>	 <p>06-3166 Cooling Fan Mounting Ears Angled 45° 4 per pack</p>	 <p>06-3167 Cooling Fan Mounting Ears Straight 4 per pack</p>	 <p>06-3168 Cooling Fan Mounting Bracket 4 per pack</p>
 <p>06-3169 Cooling Fan Mount Kit Mounting pin, washer, stop spring (4 each)</p>	 <p>06-3170 Cooling Fan Thermostat Adjustable from 150°-270°</p>	 <p>06-3171 195° 06-3172 185° Installation Kit Cooling Fan Control Package</p>	<p>Pusher</p>  <p>06-3112HP 5 blade, standard 06-3112V 10 blade, vector Voltage: 12v OAL Dia.: 12" Width: 3 3/4" Blade Dia.: 11" Mntng Hole Dist.: 11 1/2" upper to lower Mntng Hole Dist.: 6 1/2" upper L to upper R Carrier AC 411-110</p>